

ERHARDT TERRASSENDACH T<sup>INTEGRAL</sup>



**ERHARDT T<sup>INTEGRAL</sup> TERRACE ROOF**  
TERRACE ROOF WITH A MODERN FORM  
LANGUAGE AND CLEVER TECHNOLOGY

 **ERHARDT<sup>®</sup>  
MARKISEN**

Mehr. Freude. Leben. Zuhause.





## **ERHARDT T<sup>INTEGRAL</sup> TERRACE ROOF** **MODERN, ELEGANT ROOF DESIGN**

The ERHARDT T<sup>INTEGRAL</sup> terrace roof stands out thanks to its architecturally appealing design, ultra-high stability and durability. Cleverly designed right down to the smallest details, the ERHARDT T<sup>INTEGRAL</sup> has a modern, square look without a roof overhang and with an integrated gutter to create a harmonious overall feel. All technical components are concealed and elegant cover profiles make screws, nuts and installation grooves invisible, giving the terrace roof a smooth feel as if it had been cast from a single mould. An awning from the ERHARDT range will give you optimum sun and visual protection, as all ERHARDT products are carefully designed to complement each other perfectly so that you can make your dream conservatory a reality.

# ERHARDT T<sup>INTEGRAL</sup> TERRACE ROOF

## ONE PRODUCT – MANY OPTIONS

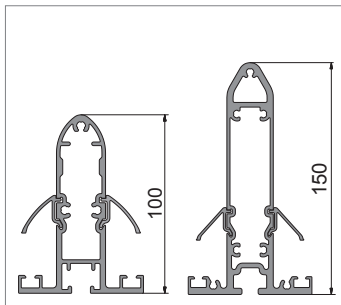


### Design

With a linear, modern and elegant design, the T<sup>INTEGRAL</sup> terrace roof fits perfectly into the architecture of your house. The rafters, wall connector and front gutter are designed to complement each other and the profiles have been rounded and chamfered to make the load-bearing profiles as unobtrusive as possible, with the result that the roof comes together in one harmonious whole.

### Concealed drainage

The water drain has been cleverly integrated into the post: rainwater is channelled through the gutter into the drainpipe integrated into the post. If the integrated drainpipe needs to be cleaned, a clip system makes opening the front profile quick and easy. Concealed drainage is integrated in the profile under the side gutter and wall connector cover without requiring obtrusive end caps.

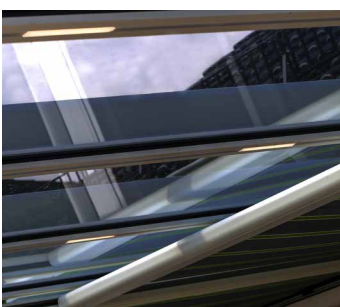


### Two different rafters

Two different rafter heights are available depending on the circumstances and static requirements. As standard, both rafters come with channels for fitting lighting and discreetly attaching awnings.

### Can be expanded at any time

ERHARDT also supplies protective glass elements, such as windows and sliding/non-sliding doors, which can be added to a terrace roof at any time to create a conservatory that gives you complete protection from wind and weather. Plus, ERHARDT conservatory and vertical awnings give you perfect sun and visual protection tailored to your conservatory.



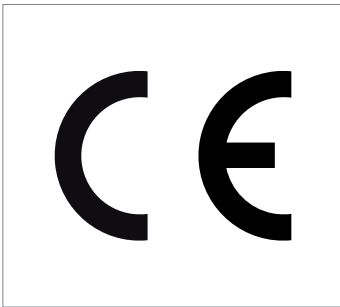
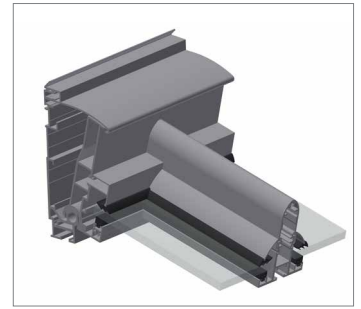
### Additional features

An additional LED lighting pack and heating element from ERHARDT, available with manual or remote control, allow you to create the comfort and ambience that's right for you in your conservatory.



### **New, multi-piece wall connector technology**

The new, multi-piece wall connector forms the perfect seal and offers maximum versatility. The wall connector has a cascading design with three layers of concealed drainage to prevent water ingress. An intelligent design, including grooves for LED lighting and attaching supports, makes mounting easy and gives you full flexibility.



### **CE Made in Germany**

All ERHARDT Markisenbau products are made in Burtenbach, Bavaria. All-round service and continuous production control guarantee high quality.



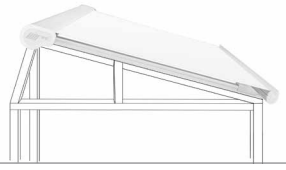


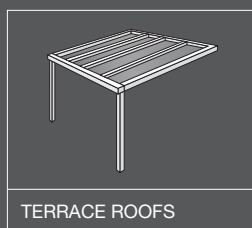
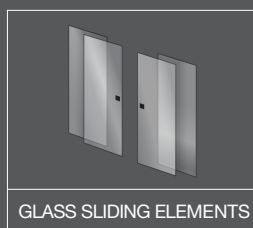
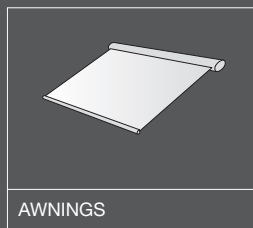






# THE RIGHT ERHARDT AWNING AT A GLANCE

	ERHARDT TM	ERHARDT HS	ERHARDT WG
			
Mounting types	On-roof mounting Under-roof mounting	On-roof mounting	On-roof mounting
Maximum dimensions (width x projection)	Under-roof mounting: 600 x 450 cm On-roof mounting: 500 x 400 cm	650 x 600 cm	500 x 450 cm 600 x 400 cm
Means of installation	2 side rails on spacers (75-500 mm high)	2 side rails on spacers (85-500 mm high)	2 laterally adjustable rails for direct mounting below the fabric
Areas of application	Terrace Roofs Conservatories Skylight windows Domed skylights	Conservatories Terrace Roofs Domed skylights Skylight windows	Conservatories Terrace Roofs Skylight windows Domed skylights
Coupling type	max. 2-piece: 2 awnings controlled by one motor; several units can be mounted in series	max. 2-piece: 2 awnings controlled by one motor; awnings connected by double rail; can be mounted in series	several units can be mounted in series: one motor always required per awning
Overhang	Rails at front: max. 100 cm	Rails at front: max. 100 cm	Rails at front: max. 120 cm Lateral offset: max. 120 cm per side
Special features	<ul style="list-style-type: none"> <li>• Motorised as standard and with zip technology</li> <li>• Spacers of different heights available</li> <li>• Auxiliary bracket for under-roof mounting</li> </ul>	<ul style="list-style-type: none"> <li>• Very robust, perfect for larger areas</li> <li>• 1 to 4-piece can be coupled with special double rail</li> </ul>	<ul style="list-style-type: none"> <li>• Rails can be offset inwards for special applications (projection on the sides)</li> <li>• Elegant appearance</li> <li>• Awning fabric in welding adhesive technology</li> </ul>



Your ERHARDT specialised partner